

HORIBA - Water Quality Analyzers pH Meter



Revolutionary waterproof meter and electrodes enhance care-free operation in the lab or field.

HORIBA portable meter conforms to waterproof standard of IEC529:IP67



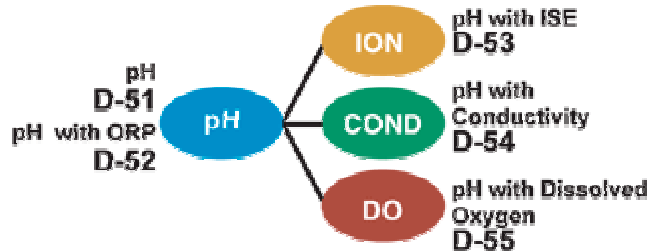
pH electrode (model 9621-10D) is waterproof down to depth of 1m.

DO electrode (model 9550/9551) is waterproof down to depth of 10m.

Quick connection to PC allows easy and fast data evaluation.

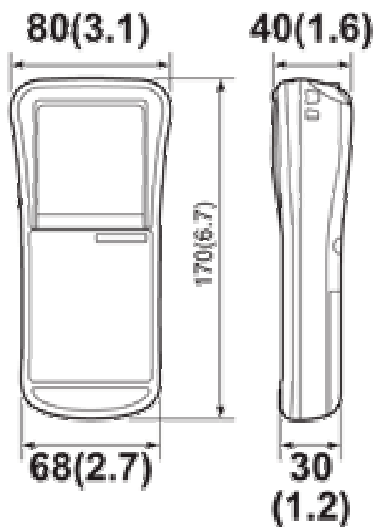


Portable multi-parameter meter allows simultaneous measurement of up to 4 parameters.



Dimensional Olines Unit: mm(in)

D-50 Series / ES-51 / OM-51



Automatic data-logging function.

Store up to 300 sets of data automatically.

Self diagnostic function assures reliable measurement.

User-friendly self-diagnostic modes for battery voltage, temperature, calibration and LCD checks.



User-friendly features and portability with large LCD display.

東方科技公司 ORIENTAL TECHNOLOGY COMPANY



O/B ORIENTAL TECH DEVELOPMENT LTD.
Unit 2704, Technology Plaza, 29-35 Sha Tsui Road, Tsuen Wan, N.T., Hong Kong.
Tel: 852-24023200 Fax: 852-24133100
<http://www.otdl.com> info@otdl.com

Specifications

		D-51	D-52	D-53	D-54
		pH	pH ORP	pH ORP ION	pH ORP COND
			RS232C PC/ printer output	RS232C PC/ printer output	RS232C PC/ printer output
Measurement method	pH	Glass electrode method	Glass electrode	Glass electrode method	Glass electrode
	ION	-----	-----	Ion electrode method	-----
	Conductivity	-----	-----	-----	AC bipolar method
	SALT	-----	-----	-----	-----
	Resistance	-----	-----	-----	-----
	Saturation Oxygen	-----	-----	-----	-----
	Oxygen	-----	-----	-----	-----
Measurement range	pH	pH0.00 ~ 14.00 Resolution 0.01pH	pH0.00 ~ 14.00 Resolution 0.01pH	pH0.00 ~ 14.00 Resolution 0.01pH	pH0.00 ~ 14.00 Resolution 0.01pH
	Temperature	0.0 ~ 100.0: Resolution 0.1 °C	0.0 ~ 100.0: Resolution 0.1 °C	0.0 ~ 100.0: Resolution 0.1 °C	0.0 ~ 100.0: Resolution 0.1 °C
	mV(ORP)	-----	-1999 ~ 1999 Resolution 1mV	-1999 ~ 1999 Resolution 1mV	-1999 ~ 1999 Resolution 1mV
	ION	-----	-----	0.0μ ~ 999g/L (mol/L)	-----
	Conductivity	-----	-----	-----	Cell constant 100m ⁻¹ : 0.000mS/m ~ 19.99S/m Cell constant 10m ⁻¹ : 0.0μS/m ~ 1.999S/m Cell constant 1000m ⁻¹ : 0.00mS/m ~ 199.9S/m Resolution 0.05% F.S.
	Dissolved Oxygen	-----	-----	-----	-----
	Resistance	-----	-----	-----	-----
	SALT	-----	-----	-----	-----
	Saturation Oxygen	-----	-----	-----	-----
	Oxygen	-----	-----	-----	-----
Repeatability	pH	±0.01pH ±1digit	±0.01pH ±1digit	±0.01pH ±1digit	±0.01pH ±1digit
	Temperature	±0.1 °C±1digit	±0.1 °C±1digit	±0.1 °C±1digit	±0.1 °C±1digit
	mV(ORP)	-----	±1mV ±1digit	±1mV ±1digit	±1mV ±1digit
	ION	-----	-----	±0.5%F.S. ±1digit	-----
	Conductivity	-----	-----	-----	±0.5%±1digit
	Dissolved Oxygen	-----	-----	-----	-----
	Resistance	-----	-----	-----	-----
Power supply		DC3V (LR6 dry cell battery) AC adapter 100 ~ 240V 50/60Hz	DC3V (LR6 dry cell battery) AC adapter 100 ~ 240V 50/60Hz	DC3V (LR6 dry cell battery) AC adapter 100 ~ 240V 50/60Hz	DC3V (LR6 dry cell battery) AC adapter 100 ~ 240V 50/60Hz
Mass		approx. 300g	approx. 300g	approx. 330g	approx. 330g

東方科技公司 ORIENTAL TECHNOLOGY COMPANY



O/B ORIENTAL TECH DEVELOPMENT LTD.
Unit 2704, Technology Plaza, 29-35 Sha Tsui Road, Tsuen Wan, N.T., Hong Kong.
Tel: 852-24023200 Fax: 852-24133100
<http://www.otdl.com> info@otdl.com

		D-55	ES-51	OM-51
		PH ORP DO *RS232C PC/printer output	COND SALT RESI *RS232C PC/printer output	DO *RS232C PC/printer output
Measurement method	pH	Glass electrode method	-----	-----
	ION	-----	-----	-----
	Conductivity	-----	AC bipolar method	-----
	Dissolved Oxygen	Diaphragm galvanic battery method	-----	Diaphragm galvanic battery method
	SALT	-----	Conductivity conversion	-----
	Resistance	-----	Conductivity conversion	-----
	Saturation Oxygen Oxygen	-----	-----	Dissolved Oxygen Dissolved Oxygen
Measurement range	pH	pH0.00 ~ 14.00 Resolution 0.01pH	-----	-----
	Temperature	0.0 ~ 100.0: Resolution 0.1 °C	0.0 ~ 100.0: Resolution 0.1 °C	0.0 ~ 100.0: Resolution 0.1 °C
	mV(ORP)	-1999 ~ 1999 Resolution 1mV	-----	-----
	ION	-----	-----	-----
	Conductivity	-----	Cell constant 100m ⁻¹ : 0.000mS/m ~ 19.99S/m Cell constant 10m ⁻¹ : 0.0μS/m ~ 1.999S/m Cell constant 1000m ⁻¹ : 0.00mS/m ~ 199.9S/m Resolution 0.05% F.S.	-----
	Dissolved Oxygen	0.00 ~ 19.99mg/L Resolution 0.01mg/L	-----	0.00 ~ 19.99mg/L Resolution 0.01mg/L
Resistance	Resistance	-----	Cell constant 100m ⁻¹ : 5.00Ωm ~ 199.9kΩm Cell constant 10m ⁻¹ : 50.0Ωm ~ 1.99MΩm Cell constant 1000m ⁻¹ : 0.500Ωm ~ 19.99kΩm	-----
	SALT	-----	0.00 ~ 4.00% Resolution 0.01%	-----
	Saturation Oxygen	-----	-----	0.0 ~ 199.9% Resolution 0.1%
	Oxygen	-----	-----	0.0 ~ 50.0% Resolution 0.1%
Repeatability	pH	±0.01pH ±1digit	-----	-----
	Temperature	±0.1 °C±1digit	±0.1 °C±1digit	±0.1 °C±1digit
	mV(ORP)	±1mV ±1digit	-----	-----
	ION	-----	-----	-----
	Conductivity	-----	±0.5%F.S. ±1digit	-----
	Dissolved Oxygen	±0.1mg/L ±1digit	-----	±0.1mg/L ±1digit
Resistance	-----	±0.5%F.S. ±1digit	-----	
Power supply		DC3V (LR6 dry cell battery) Option: AC adapter	DC3V (LR6 dry cell battery) Option: AC adapter	DC3V (LR6 dry cell battery) AC adapter 100 ~ 240V 50/60Hz
Mass		approx. 330g	approx. 300g	approx. 300g